

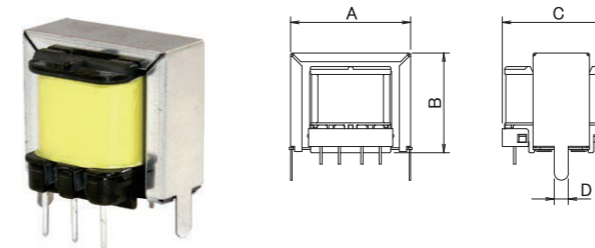
PIN TRANSFORMERS(PQ,PE TYPE)

Features

- Incorporate Non-oriented/oriented silicon steel.
- Adaptable to commercial frequency (50/60Hz).
- Available for an order of low volume high mix.
- Possible to cope with short lead time.
- Possible to conform IEC standard depending on conformity safety standard, input voltage and insulation construction.

ケイ素鋼板を使用した商用周波数(50/60Hz)向けトランスです。多品種小ロットのご注文でも短納期にて対応させていただきます。適合安全規格、入力電圧、絶縁構成によってIEC規格に対応できますので問い合わせください。

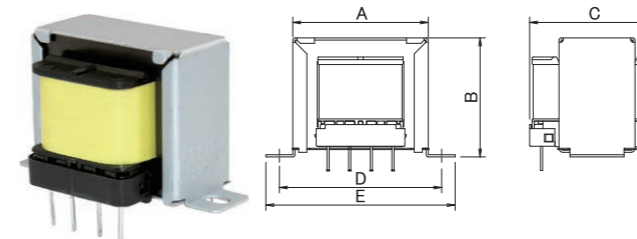
■ PQ-A



Model	A	B (Max)	C	D	Output Power(VA)
※ PQ2811A	29.5	29.0	27.5	4.5	1.0
※ PQ3512A	36.5	33.5	28.5	4.8	2.5
PQ4118A	43.0	37.0	41.0	5.0	8.0

* There are not meet IEC standard.

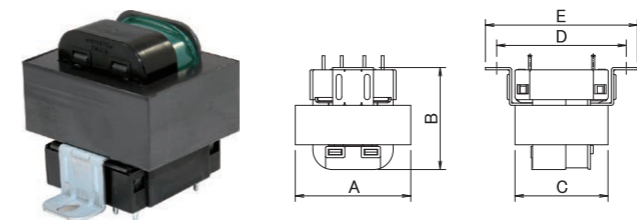
■ PQ-C



Model	A	B (Max)	C	D	E	Output Power(VA)
※ PQ2811C	29.5	29.0	27.5	35.5	43.0	1.0
PQ4118C	43.0	37.0	41.0	50.0	60.0	8.0
PQ4826C	50.5	44.0	48.0	60.0	70.0	15.0

* There are not meet IEC standard.

■ PE



Model	A	B (Max)	C	D	E	Output Power(VA)
※ PE2811	28.5	30.0	25.5	—	—	1.0
PE3511	35.5	33.0	30.0	—	—	2.0
PE3515	35.5	37.0	30.0	—	—	3.0
PE4115	41.5	39.0	33.5	46.0	54.0	5.0
PE4119	41.5	43.0	33.5	46.0	54.0	8.0
PE4124	41.5	48.0	33.5	46.0	54.0	10.0
PE4810	48.5	31.0	40.5	—	—	6.0
PE4816	48.5	39.0	40.5	—	—	8.0
PE4819	48.5	43.0	40.5	55.0	65.0	10.0
PE4825	48.5	50.0	40.5	55.0	65.0	15.0

* There are not meet IEC standard.

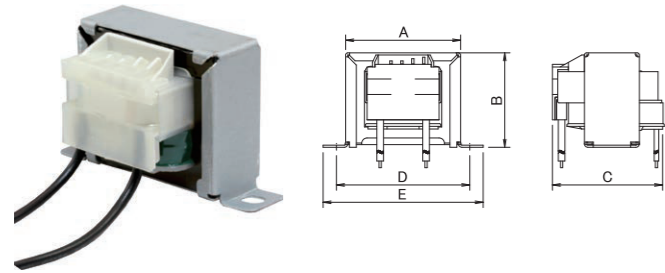
LEAD TRANSFORMERS(ES,KS TYPE)

Features

- Incorporate Non-oriented/oriented electrical steel.
- Adaptable to commercial frequency (50/60Hz).
- Available for an order of many kinds in small lot.
- Possible to cope with quick delivery.
- Possible to conform IEC standard depending on conformity safety standard, input voltage and insulation construction.
- * Dimension "C" is changed depending on circuit construction.

ケイ素鋼板を使用した商用周波数(50/60Hz)向けトランスです。多品種小ロットのご注文でも短納期にて対応させていただきます。適合安全規格、入力電圧、絶縁構成によってIEC規格に対応できますので問い合わせください。回路構成により巻腹寸法(C寸法)は変わりますので問い合わせください。

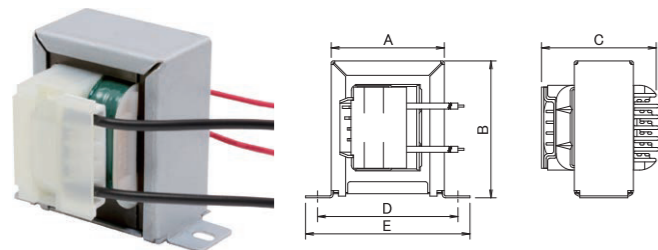
ES-AH



Model	A	B	C (Max)	D	E	Output Power(VA)
ES2815	29.5	27.0	34.0	35.0	43.0	2.0
ES2840	30.0	27.0	59.0	—	—	5.0
ES3511	36.5	32.0	36.0	46.0	54.0	2.0
ES4115	43.0	36.0	42.0	50.0	60.0	5.0
ES4118	43.5	36.0	45.0	50.0	60.0	8.0
ES4124	43.5	36.0	51.0	50.0	60.0	10.0
ES4160	41.5	33.5	90.0	—	—	20.0
ES4818	50.0	43.0	45.0	59.0	70.0	10.0
ES4825	50.0	43.0	52.0	60.0	70.0	15.0
ES5422	56.5	50.0	52.0	67.0	78.0	18.0
ES5727	60.0	51.0	57.0	70.0	81.0	30.0
ES6625	68.5	59.0	63.0	81.0	92.0	35.0
ES6630	68.5	59.0	68.0	81.0	92.0	40.0
ES6635	68.5	59.0	73.0	81.0	92.0	50.0
ES6645	68.5	60.0	83.0	83.5	96.5	65.0

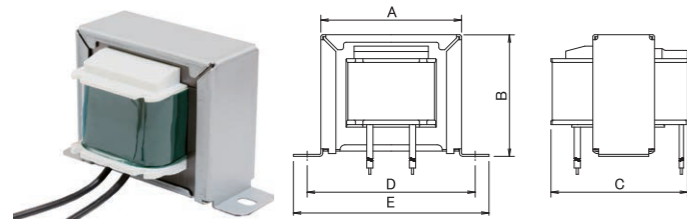
* Model ES 2840 and ES4160 are no clamped.

ES-AV



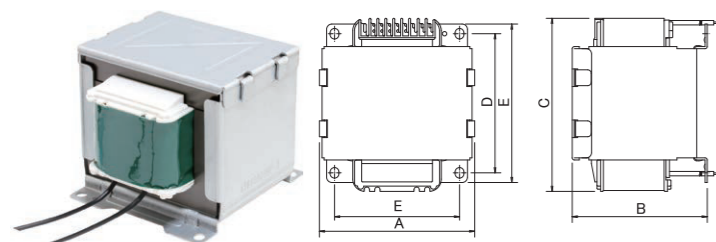
Model	A	B	C (Max)	D	E	Output Power(VA)
ES3511	31.5	37.5	36.0	40.0	50.0	2.0
ES4115	34.5	44.0	42.0	45.0	52.0	5.0
ES4118	35.5	44.0	45.0	45.0	53.0	8.0
ES4818	42.0	51.0	45.0	52.0	62.0	10.0
ES4825	42.0	51.0	52.0	52.0	62.0	15.0
ES5422	47.5	58.0	52.0	58.5	68.5	18.0
ES5727	50.6	61.0	57.0	60.0	72.0	30.0
ES6625	58.0	71.0	63.0	71.0	81.0	35.0
ES6630	58.0	71.0	68.0	70.0	81.0	40.0
ES6635	58.0	71.0	73.0	70.0	81.0	50.0
ES6645	61.5	75.0	83.0	76.0	90.0	65.0

KS-AH



Model	A	B	C (Max)	D	E	Output Power(VA)
KS5422	56.5	50.0	60.0	67.0	78.0	18.0
KS5727	60.0	51.0	66.0	70.0	81.0	30.0
KS6655	72.5	65.0	100.0	87.0	101.0	80.0
KS7640	84.0	70.0	85.0	98.0	112.0	90.0

KS-FH



Model	A	B	C (Max)	D	E	Output Power(VA)
KS7660	90.0	78.0	110.0	71.0	79.0	130.0
KS8560	100.0	84.0	115.0	80.0	83.0	200.0
KS8580	100.0	84.0	135.0	80.0	103.0	270.0
KS9680	112.0	93.0	145.0	85.0	103.0	310.0
KS11460	128.0	105.0	130.0	100.0	83.0	390.0

Specifications are subject to change for improvement without notice.

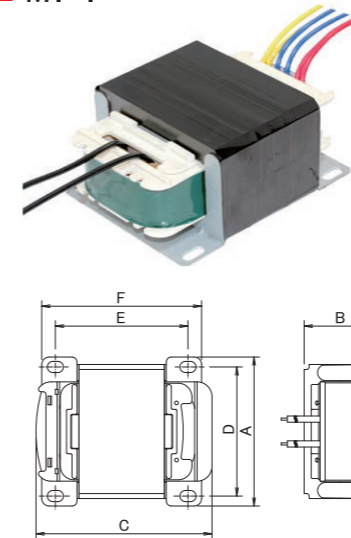
THIN TRANSFORMERS(MPT TYPE)

Features

- Suitable for low profile device's limited height.
- Possible to conform IEC standard.
- * Dimension "C" is varied depending on circuit construction.

MPTシリーズは、高さ制限のある薄型機器に最適です。IEC規格に適合します。回路構成により巻腹寸法(C寸法)は変わりますので問い合わせください。

MPT



Model	A	B	C (Max)	D	E	F	Output Power(VA)
KS5535	60.0	30.0	75.0	52.0	53.0	64.0	22.0
KS6435	67.0	35.0	83.0	58.0	53.0	68.0	35.0
KS7235	72.0	41.0	90.0	63.0	58.0	74.0	40.0
KS7250	72.0	41.0	105.0	63.0	73.0	89.0	60.0
KS7270	72.0	41.0	125.0	63.0	93.0	109.0	80.0
KS9640	96.0	48.0	115.0	83.0	74.0	96.0	120.0
KS9660	96.0	48.0	135.0	83.0	94.0	116.0	180.0
KS9680	96.0	48.0	155.0	83.0	114.0	136.0	240.0
KSC0A0	120.0	60.0	185.0	105.0	140.0	160.0	400.0

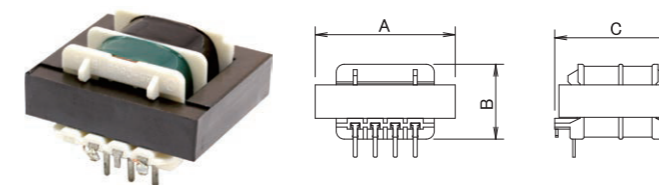
THIN TRANSFORMERS(PLS,PLF TYPE)

Features

- Incorporate Non-oriented/oriented silicon steel.
- Adaptable to commercial frequency (50/60Hz).
- Available for an order of low volume high mix.
- Possible to cope with short lead time.
- * PLS series and PLF series cannot conform IEC standard (reinforced insulation).

ケイ素鋼板を使用した商用周波数(50/60Hz)向けトランスです。多品種小ロットのご注文でも短納期にて対応させていただきます。IEC規格(強化絶縁)には非適合です。

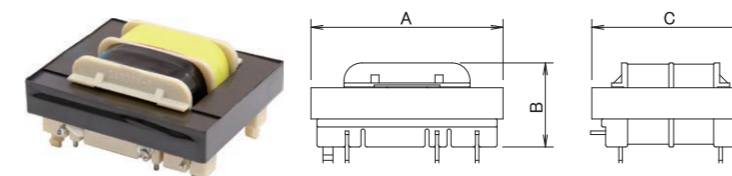
PLS



This PLS achieved 20mm(high)

Model	A	B	C (Max)	Output Power(VA)
PLS3508	35.5	20.0	35.0	0.8

PLF



This PLF achieved 21mm(high). This has a fuse built-in

Model	A	B (Max)	C (Max)	Output Power(VA)
PLF4808	48.5	21.0	44.0	2.5

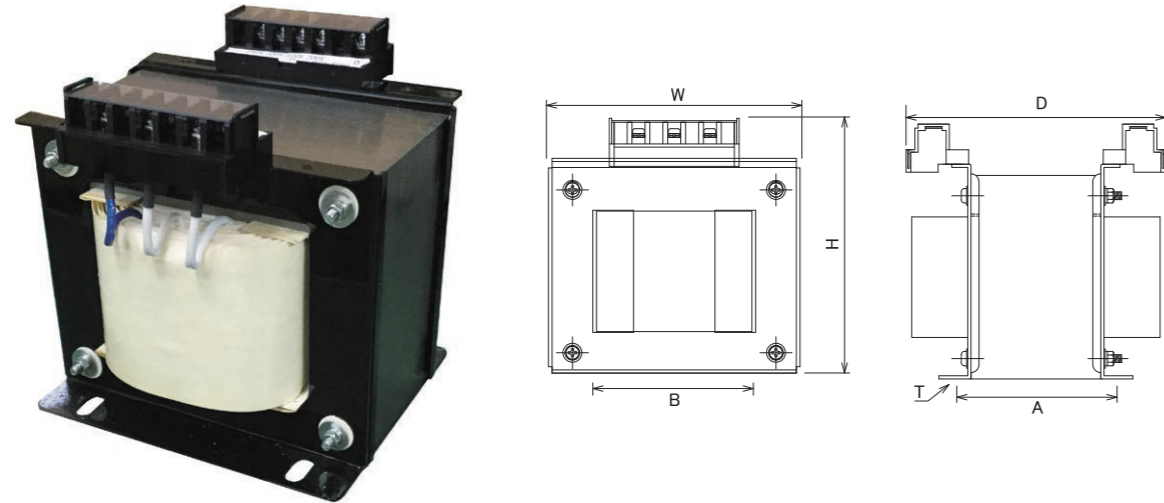
Specifications are subject to change for improvement without notice.

SINGLE PHASE TRANSFORMERS

Features

- Available to customize specification according to application ,such as machine tool,semiconductor manufacturing equipment, switchboard and industrial equipment etc.
- Applicable to input voltage 500V and output voltage 750V.
- Capacity : 300VA~25kVA.

工作機械、半導体製造装置、配電盤、産業機器など用途に合わせてカスタムします。
入力電圧500V、出力電圧750Vまで対応可能。容量300VA~25kVA。



■ Possible to Customize

- Input Voltage
- Output Voltage
- Addition numb
- With metal casing and others

Output Power	Mounting Dimension		Dimension			Mounting hole	Weigh about (kg)
	A	B	Height H	Wide W	Depth D		
300VA	80	75	123	119	145	5.5 × 10	5.4
350VA	81	98	139	138	142	7 × 11	7.0
400VA	85	98	139	138	146	7 × 11	7.4
450VA	88	98	139	138	150	7 × 11	8.0
500VA	92	98	139	138	153	7 × 11	8.3
550VA	82	110	158	157	145	7 × 11	9.7
600VA	85	110	158	157	148	7 × 11	10.1
650VA	87	110	158	157	150	7 × 11	10.4
700VA	90	110	158	157	153	7 × 11	10.9
750VA	92	110	158	157	155	7 × 11	11.3
850VA	97	110	158	157	160	7 × 11	12.0
1.0kVA	103	110	158	157	166	7 × 11	12.9
1.2kVA	111	120	174	177	170	10 × 20	16.6
1.5kVA	120	120	174	177	180	10 × 20	17.7
1.7kVA	126	120	174	177	185	10 × 20	19.3
2.0kVA	127	138	230	209	230	U10 × 16	21.9
2.5kVA	136	138	230	209	230	U10 × 16	24.7
3.0kVA	144	138	235	209	235	U10 × 16	27.5
3.5kVA	153	138	240	209	235	U10 × 16	31.3
4.0kVA	164	138	240	209	235	U10 × 16	35.0
4.5kVA	167	138	240	209	235	U10 × 16	38.5
5.0kVA	170	140	260	250	250	9 × 15	45
6.0kVA	170	130	333	300	300	16	44
7.0kVA	175	130	333	300	310	16	50
8.0kVA	182	130	333	300	320	16	56
9.0kVA	190	130	333	300	330	16	65
10.0kVA	195	130	333	300	340	16	73
15.0kVA	211	150	390	340	380	16	105
20.0kVA	232	150	390	340	410	16	140
25.0kVA	250	150	390	340	440	16	160

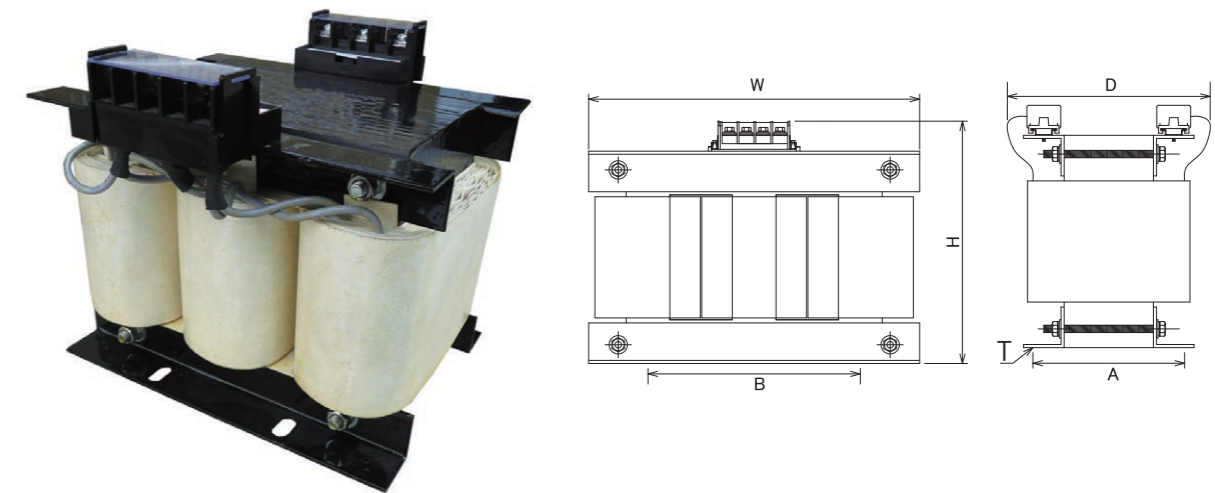
Specifications are subject to change for improvement without notice.

THREE PHASE TRANSFORMERS

Features

- Available to customize specification according to application ,such as machine tool, semiconductor manufacturing equipment, switchboard and industrial equipment etc.
- Applicable to input voltage 500V and output voltage 750V.
- Capacity : 300VA~20kVA.

工作機械、半導体製造装置、配電盤、産業機器など用途に合わせてカスタムします。
入力電圧500V、出力電圧750Vまで対応可能。容量300VA~20kVA。



■ Possible to Customize

- Star connection
- Delta connection
- Scotto connection
- With metal casing and others

Output Power	Mounting Dimension		Dimension			Mounting hole	Weigh about (kg)
	A	B	Height H	Wide W	Depth D		
300VA	84	50	137	150	105	6 × 8	5.6
400VA	89	50	137	150	110	6 × 8	6.5
500VA	96	50	137	150	117	6 × 8	7.4
600VA	79	140	197	215	160	10.5	9.0
700VA	82	140	197	215	163	10.5	10.5
800VA	86	140	197	215	167	10.5	12.0
900VA	89	140	197	215	170	10.5	13.5
1.0kVA	92	140	197	215	173	10.5	15.0
1.5kVA	105	140	197	215	186	10.5	20.0
2.0kVA	115	140	197	225	196	10.5	22.7
2.5kVA	125	140	197	225	206	10.5	15.4
3.0kVA	121	170	224	270	220	12.0	28.0
3.5kVA	128	170	224	270	225	12.0	32.0
4.0kVA	134	170	224	270	230	12.0	35.0
5.0kVA	140	200	244	300	260	12.0	42.5
6.0kVA	140	220	268	370	260	12.0	50.0
7.0kVA	147	220	268	370	270	12.0	55.5
8.0kVA	155	220	268	370	278	12.0	61
9.0kVA	171	260	353	440	280	12.0	75
10.0kVA	176	260	353	440	290	16.0	88
15.0kVA	200	290	380	440	310	16.0	118
20.0kVA	210	320	380	500	425	16.0	160

Specifications are subject to change for improvement without notice.

IMPEDANCE MATCHING TRANSFORMERS

Features

Suitable for impedance matching circuit used for intercom.

インターホン、回路間のインピーダンス整合回路用に最適です。



Model	A	B	C
E1405P	14.5	12.0	15.0
※ E1605P	16.5	16.5	14.0
E1905P	19.5	17.5	15.5
E2408P	24.5	20.0	21.5

number of Pins(primary side): 2

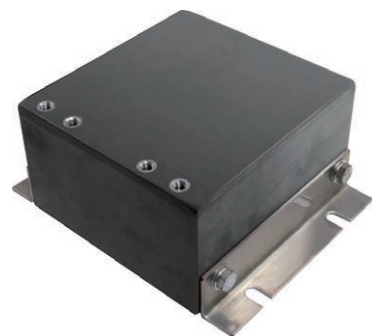
TOROIDAL POWER TRANSFORMERS(RP TYPE)

Features

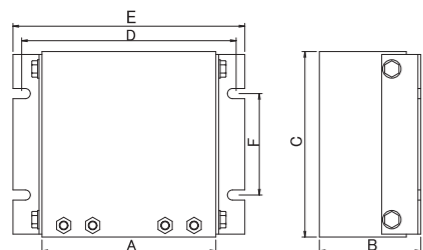
- Incorporate toroidal core.
- Easy installation due to original construction method.
- Adopting a screw fastening method for primary and secondary terminal (The leakage flux is reduced).
- Suitable for audio equipment and medical equipment
- * For audio equipment, standby power consumption can be reduced by using another sub-transformer for standby power.

トロイダルコアを使用した電源トランスです。
独自の工法により、セットへの取り付けが容易です。
リーケージフラックスを低減させていますので、音響機器及び医療機器用に最適です。一次端子及び二次端子にネジ止め方式を採用しています。
音響機器用として使用する場合は、待機電力用トランスとの併用で、待機電力を大幅に低減できます。

RP



Model	A	B	C	D	E	F	Output Power(VA)
RP100	105.0	70.0	115.0	133.0	145.0	65.0	100.0
RP200	120.0	70.0	128.0	148.0	160.0	70.0	200.0
RP500	160.0	90.0	168.0	202.0	220.0	100.0	500~600
RP1000	190.0	110.0	200.0	232.0	250.0	120.0	1000~1200



Specifications are subject to change for improvement without notice.